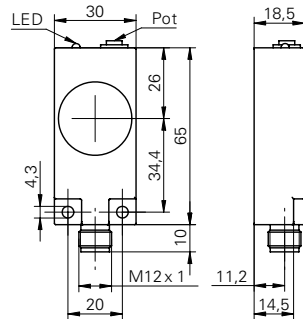


Capacitive proximity sensors

CFDK 30

sample drawing



general data

mounting type	shielded
nominal sensing distance S_n	15 mm
nominal sensing distance S_n adjustable	4 ... 15 mm
temperature drift	$\pm 15\%$ (+10 ... +70 °C)
sensitivity adjustment	potentiometer
output indicator	LED yellow

electrical data

voltage supply range +Vs	10 ... 30 VDC
current consumption max.	20 mA
output current	< 200 mA
voltage drop Vd	< 1,5 VDC
switching frequency	< 50 Hz
short circuit protection	yes
reverse polarity protection	yes

mechanical data

type	rectangular
housing material	PBT
dimension	30 mm

ambient conditions

operating temperature	-25 ... +75 °C
protection class	IP 65

sample picture



order reference	housing length	output circuit	connection types
CFDK 30N1600	65 mm	NPN make function (NO)	cable, 2 m
CFDK 30N1600/S14	75 mm	NPN make function (NO)	connector M12
CFDK 30N3600	65 mm	NPN break function (NC)	cable, 2 m
CFDK 30N3600/S14	75 mm	NPN break function (NC)	connector M12
CFDK 30P1600	65 mm	PNP make function (NO)	cable, 2 m
CFDK 30P1600/S14	75 mm	PNP make function (NO)	connector M12
CFDK 30P3600	65 mm	PNP break function (NC)	cable, 2 m
CFDK 30P3600/S14	75 mm	PNP break function (NC)	connector M12